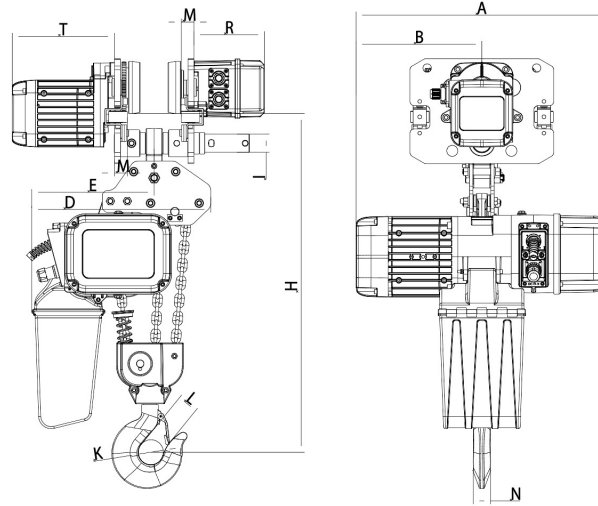




**3 ton Electric Chain Hoist w/ Power  
Trolley 2 Speed 380V 3 $\phi$  1/2 50HZ**

## Especificaciones Técnicas

<b>Capacidad de Carga</b>	3 ton	<b>Plug</b>	Open Leads
<b>Altura de Izaje Estandar (Customizable)</b>	30 ft / 9 m	<b>Velocidad /min</b>	1 st speed : (11.1 ft @60Hz - 1.7 mt @50Hz) / 2 nd speed : (21.2 ft @60Hz - 5.4 mt @50Hz)
<b>Numero de Velocidades</b>	2 Speed	<b>Voltaje</b>	3 Phase 380V 50Hz
<b>Clase de Servicio</b>	H4/M5/2m/Class D	<b>Protección IEC Motor</b>	IP55
<b>Control</b>	Pendant Control IP66	<b>Voltaje del Control</b>	24V
<b>Tipo Transmisión / Reductor</b>	Spur gearbox	<b>Tipo de Cadena</b>	G100 Nickel
<b>Dimensiones de la Cadena</b>	11.2 mm	<b>Caidas de Cadena</b>	1
<b>Longitud de cadena</b>	30	<b>Humedad</b>	20%~90%
<b>Temperatura</b>	-4 ~ 104° F / -20 ~ 40° C	<b>Potencia del Trolley</b>	500
<b>Velocidad del Trolley /min</b>	14.17~43.30 ft @60Hz 3.6~11 mt @50Hz	<b>Cantidad de Velocidades</b>	2
<b>Rango de ancho de la Viga</b>	3.9" to 7"	<b>Radio Minimo de Giro</b>	1.6
<b>Normas</b>	ASME HST-1 , ASME B30.16 , B30.17 , EN60204-35	<b>Garantía</b>	3 Year
<b>Hoist Contactors Amps</b>	25A	<b>Hoist Contactor Brand</b>	Schneider
<b>Hoist Contactor Model</b>	LC1D25B7C / LC1D258B7C	<b>Hoist Contactor Coil Voltage</b>	24 V
<b>IEC Hoist IP Protection</b>	IP55	<b>Pendant Control Yes No</b>	Yes
<b>IEC Pendant Control Protection</b>	IP66	<b>Pendant Control Emergency Stop</b>	Yes
<b>Pendant Control total Length</b>	27 ft	<b>Hoist Motor Power in KW</b>	3
<b>Hoist Motor Brake Type and DC Voltage</b>	DC170V	<b>Overload Protection</b>	Overload Motor Clutch
<b>Hour Meter</b>	Internal Working Hour Meter	<b>Brake rectifiers-half-wave</b>	PWRX-BKTF-HW
<b>Hoist Motor Insulation Grade</b>	F	<b>Recommended Hoist Protection Circuit Breaker AMPs and Type</b>	Type D 9A at 380V
<b>Optional Load Chain Brand &amp; Country of Origin</b>	FEC Japan	<b>Reducer Lubrication Type</b>	Oil
<b>Paint Specifications</b>	Electrostatic Sprayed Plastic (ESP) Epoxy resins, Polyester Resins, Barium, Pigments	<b>Trolley Motor Brake Type and DC Voltage</b>	DC170V
<b>Trolley Motor Insulation Grade</b>	F	<b>Trolley Contactors Amps</b>	32A
<b>Trolley Contactors Brand</b>	Schneider	<b>Trolley Contactors Model</b>	LC1D12B7C / LC1D128B7C
<b>Trolley Contactors Coil Voltage</b>	24 V	<b>Trolley Wheel Diameter</b>	124
<b>Trolley Wheel Material</b>	No. 45 steel	<b>Trolley Minimum Turn Radius</b>	1.6 m / 5.2 ft
<b>Trolley Beam Range</b>	3.9" to 7"	<b>Trolley Beam Extension Kit</b>	up to 12"
<b>Load Chain weight per foot [lbs]</b>	1.83	<b>1st Package Type</b>	Wood Crate
<b>2nd Package Type</b>	Wood Crate		



H	A	B	D	E	I	M	N	K	L	T	R
645	590	276	425	290	43	30	34	59	48	242	.167

## Peso & Dimensiones

**Peso Total** 451 lbs / 205 Kg

## Detalles del Empaque

**H Altura Muerta** 25.39

**A Altura Total** 25.39

**D Depth** 26.81

**W Ancho** 13.78

**J Boca Gancho** 2.32

**Peso Total (sin cable o cadena)** 268.23

Referential Images / Imágenes Referenciales  
Specifications may change without notice / las especificaciones pueden cambiar sin previo aviso