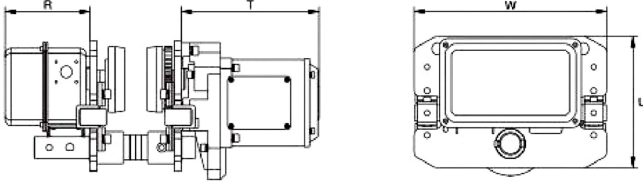




## 1/2 Ton Power Trolley 380V with Limit Switches Pendant not Included

### Especificaciones Técnicas

<b>Voltaje</b>	3 Phase 380V 50Hz	<b>Garantía</b>	3 Year
<b>T Motor del Carro</b>	9.09 in / 231 mm	<b>R Carro Ancho Caja</b>	6 in / 142 mm



Model / Modelo	PWQE1TI	PWQE2TI	PWQE3TI	PWQE5TI	PWQE7TI	PWQE10TI
Dimensions / Dimensiones	<b>W</b>	12.4 in / 315mm	12.7 / 325mm	13.3in / 340mm	15.7 in/ 400mm	26.5 in / 670 mm
	<b>U</b>	8.3 in / 212mm	8.6mm / 220mm	9.8 in / 250mm	11.4 in / 291mm	-
	<b>R</b>	5.5 in / 142mm	5.5 in / 142mm	5.5 in / 142mm	5.5 in / 142mm	9 in / 231 mm
	<b>T</b>	9 in / 231mm	9 in / 231mm	9 in / 231mm	9 in / 231mm	5.6 in / 142 mm

## Peso & Dimensiones

## Detalles del Empaque

**Peso Total** 83.6 lbs / 38 Kg

**A Altura Total** 8.5

**W Ancho** 12.4

Referential Images / Imágenes Referenciales  
 Specifications may change without notice / las especificaciones pueden cambiar sin previo aviso